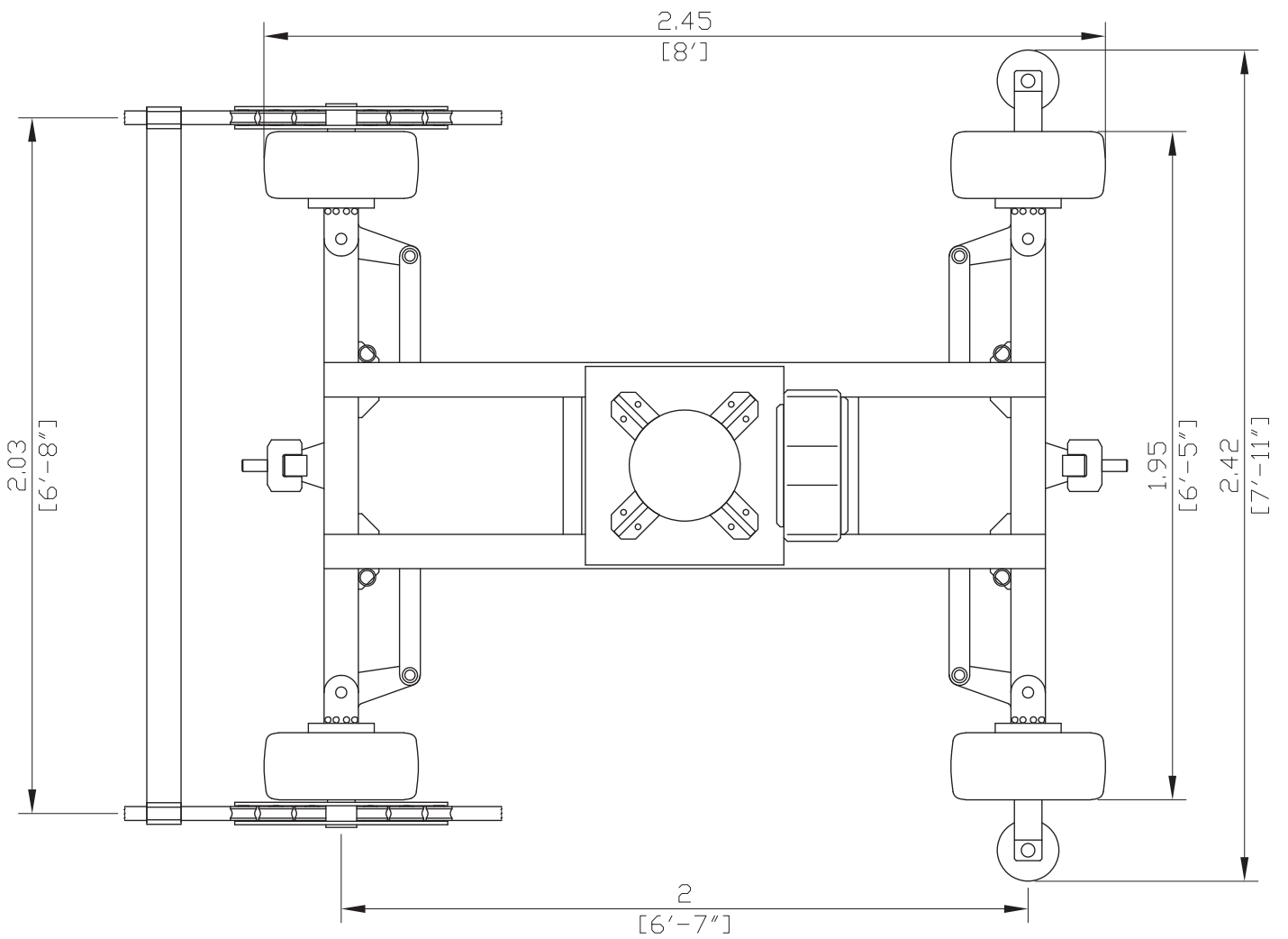
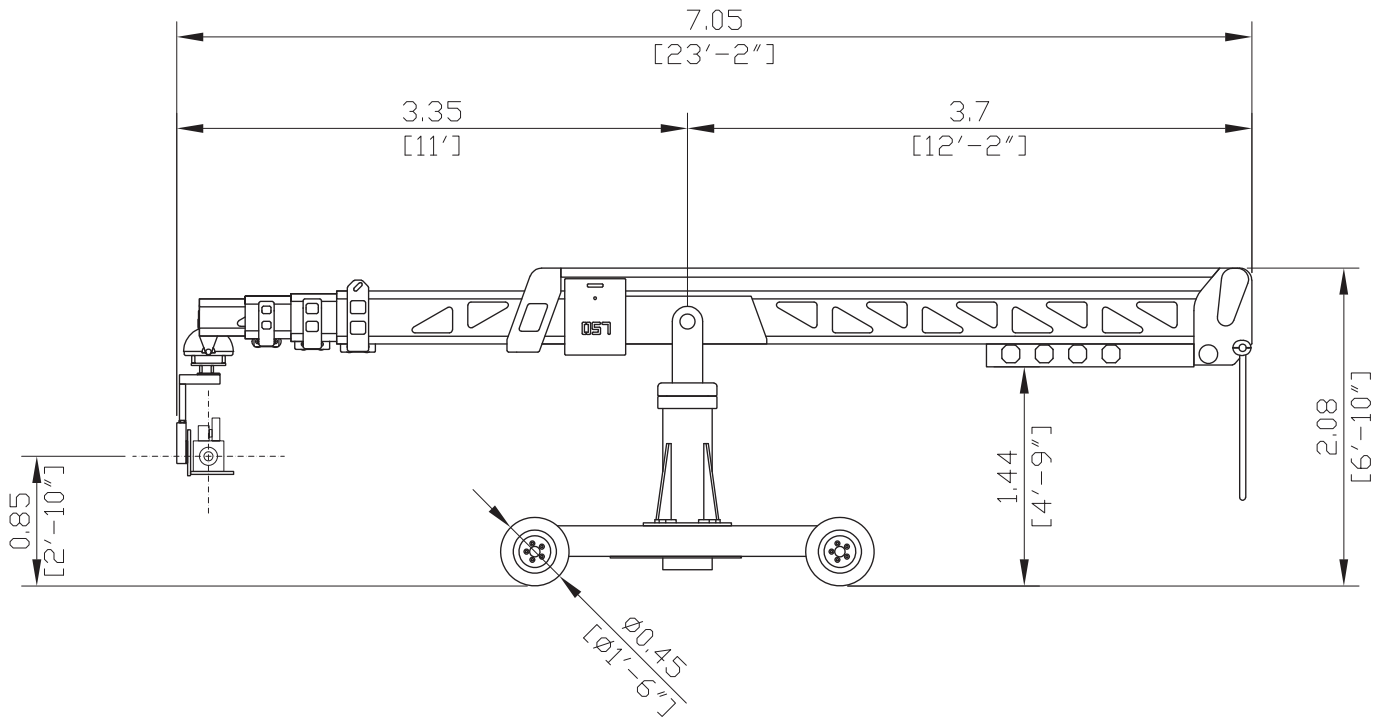


SUPERTECHNO 50



SUPERTECHNO 50

MAX. LENS HEIGHT	15,11 m	50'
MAX. LENGTH	18,45 m	60' 6"
MAX. SPEED	2 m/s	6,6'/s
MIN. SPEED	1 m/h	3,3'/h
CRANE WEIGHT	2300 kg	5100 lbs

